

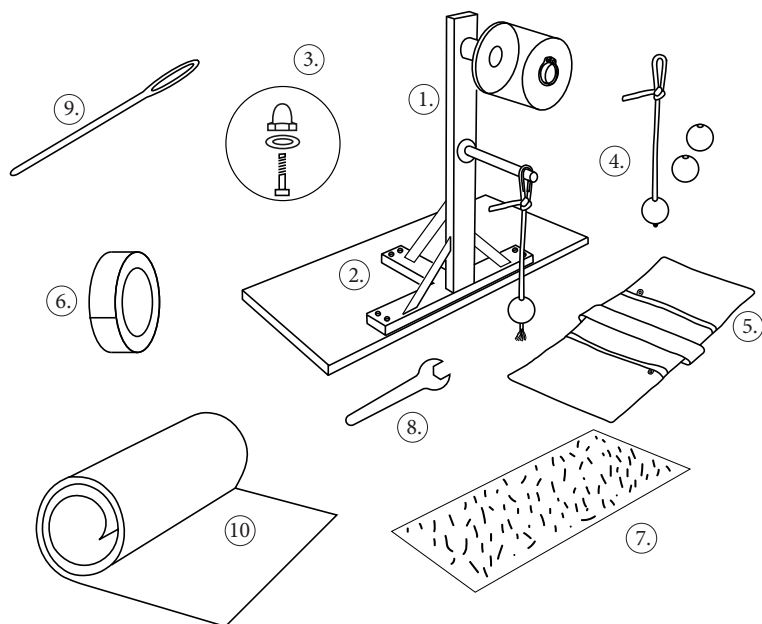
golftool sg3000

INSTALLATION INSTRUCTION

Do not face GOLFTOOL sg3000 in a direction where the ball could injure somebody or damage property if it should come off of the rope!

What's In The Package

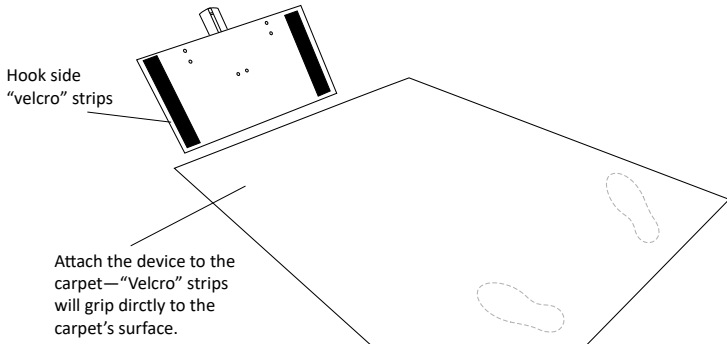
1. Frame
2. Wooden plate
3. Nuts/Screws/Washers - 6 pcs.
4. 1 set of balls/ropes (one for driver one for irons)
5. Sandbag
6. Impact-masking tape
7. Hitting mat
8. Wrench
9. Blunt plastic needle
10. Carpet mat



golftool sg3000

Installation

2. Attach the device to the carpet mat.



3. Attach the turf hitting mat to the carpet, positioning it below the ball • Fill the sandbag with sand and attach it to the device for additional stability.

Removing the groover: lift the back side of the device along with the carpet and gradually detach the velcro strips.

